

Alfred Jäger GmbH

SF-Elektromaschinenbau



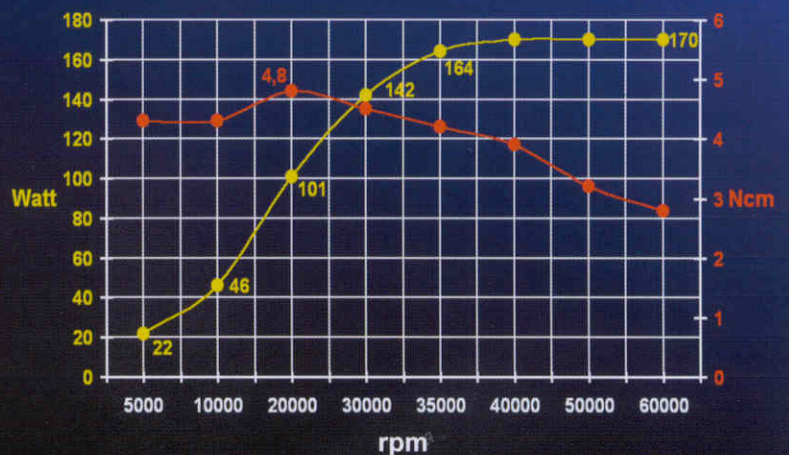
33-1 W04 FS

High frequency spindle for
drilling, milling, grinding
and engraving



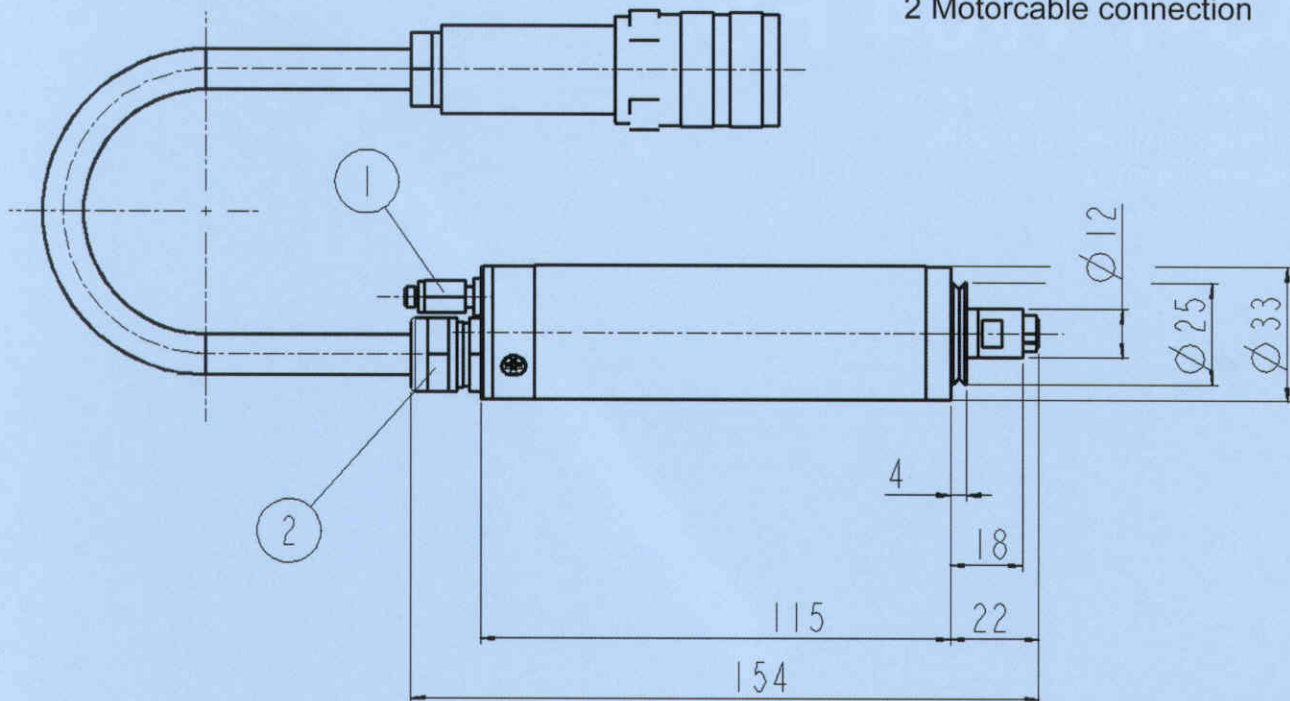
Technical Data:

- Power output: 170 watt
- Rotation frequency speed: 5.000 - 60.000 rpm
- Manual clamping
- Clamping range: 1 - 4 mm
- Sealing air
- Rotation speed monitoring
- Temperature monitoring
- Weight: 0,65 kg



33 - 1 W04 FS

1 Sealing air connection
2 Motorcable connection



Accessories:

- Spindle bracket Ø 33 mm
- Collet type 675 (1 - 4 mm)
- Sealing air hose NW3 Ø 4/2,8 mm
- Extension motorcable GB7 / SA7
- Solid-state frequency converter type 0101 D (obtainable as Desktop housing, 19" rack, for mounting in a switchgear cabinet)
- Pressure reducing valve for the sealing air

Update: 01/01