

Alfred Jäger GmbH

SF-Elektromaschinenbau



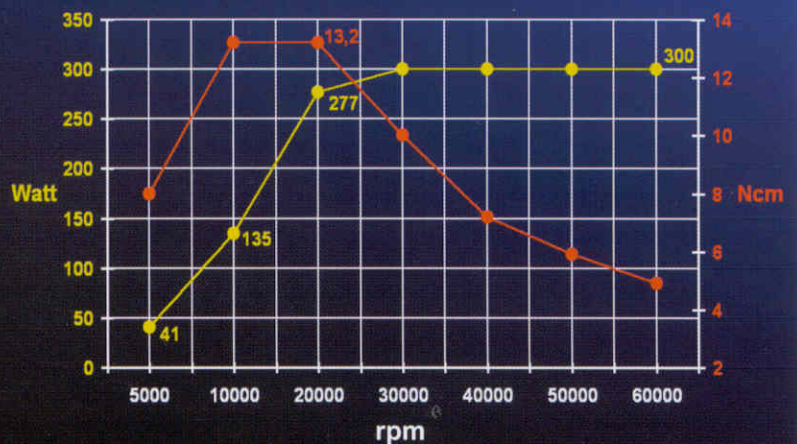
42-2 W38 FS

High frequency spindle for
drilling, milling, grinding
and engraving

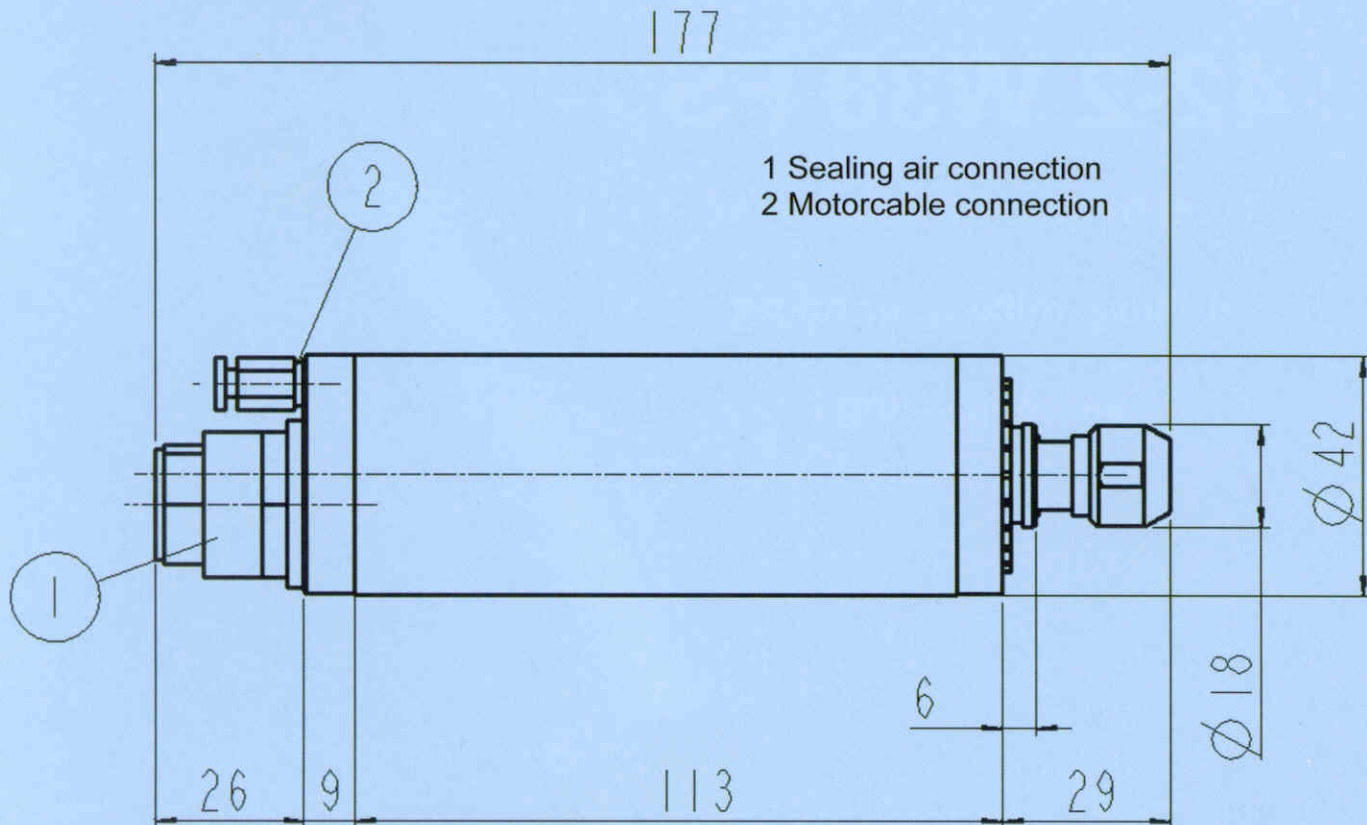


Technical Data:

- Power output: 300 watt
- Rotation frequency speed: 5.000 - 60.000 rpm
- Ceramic hybrid precision ball bearings lubricated for life
- Manual clamping
- Clamping range: 1 - 6 mm ; 1/4"
- Sealing air
- Rotation speed monitoring
- Temperature monitoring
- Weight: 0,85 kg



42-2 W38 FS



Accessories:

- Spindle bracket Ø 42 mm
- Collet type 6 D (1 - 6 mm ; 1/4")
- Operating line 01.4m
(several length available)
 - 1 x Motorcable
 - 1 x Sealing air hose
- Solid-state frequency converter type 0201 D
(obtainable as Desktop housing, 19" rack,
for mounting in a switchgear cabinet)
- Pressure reducing valve for the sealing air

Update: 01/01