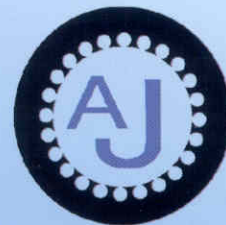


Alfred Jäger GmbH

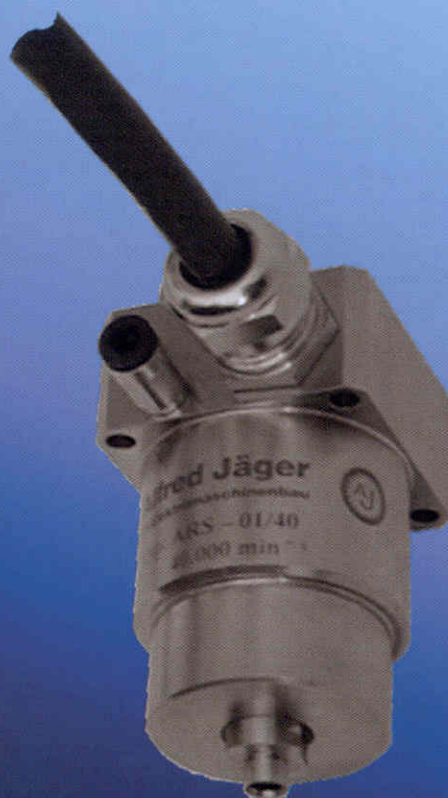
SF-Elektromaschinenbau



ARS-01/40

Dressing spindle for
trueing grinding wheels

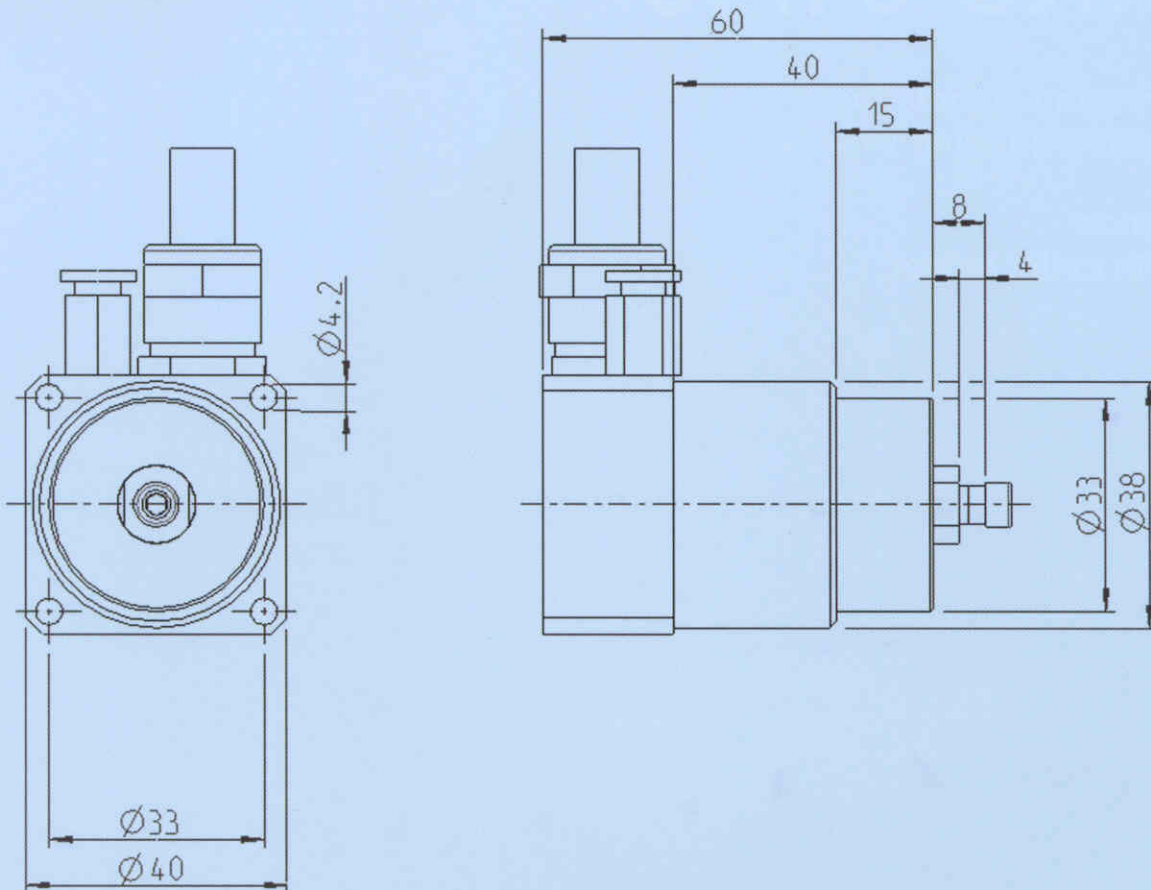
option:
with collet holder



Technical datas:

Housing:	stainless steel
Speed:	up to 40.000 rpm
Power:	80 watt
Frequency:	up to 666,7 Hz
Voltage:	38 V
Current:	2A
Speed control:	via sensor
Weight:	approximately 1lb.
Air sealing pressure:	75 - 100 psi

ARS-01/40



Accessoires:

- frequency converter type 0101 DRU
with first cut recognition
- option:
frequency converter type 0101

update: 01/01