

Alfred Jäger GmbH

SF-Elektromaschinenbau



KH5-03/42

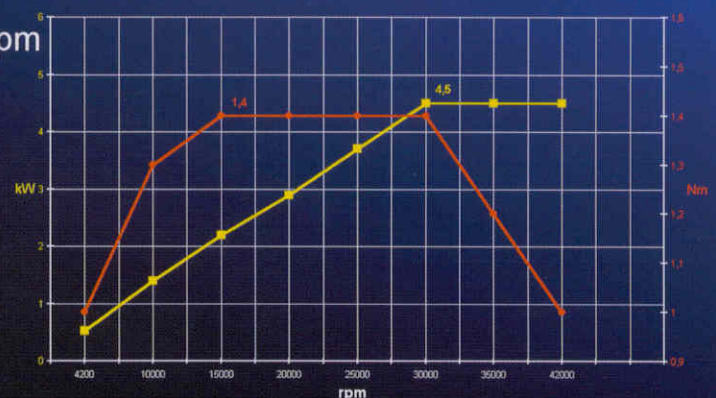
KH5-04/42 (with HSK-clamping control)

High frequency spindle with HSK32 for strong drilling and milling applications

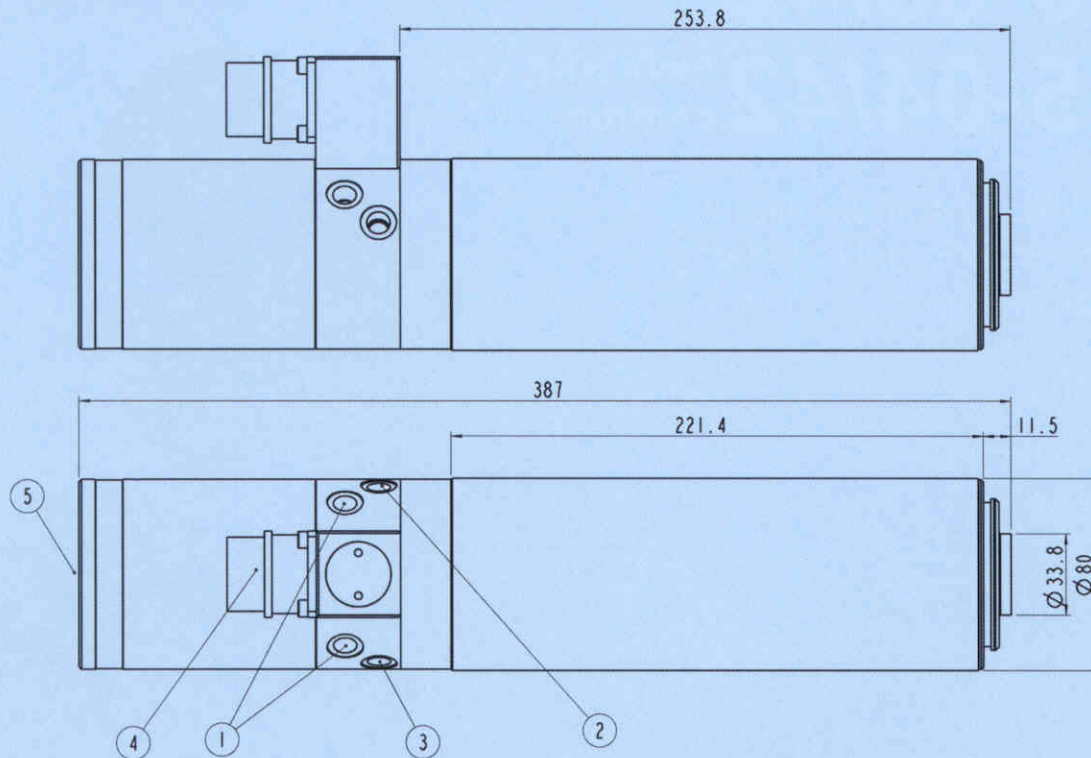


Technical details:

- Power output: 4,5 kW
- Rotation frequency speed: 4.200 - 42.000 rpm
- Ceramic hybrid precision ball bearings lubricated for life
- Tool change: HSK-E32, automatic
- Sealing air
- Rotation speed monitoring
- Liquid cooled
- Weight: ca. 9,8 kg



KH5-03/42



- 1 cooling hose connections
- 2 Air connection for cleaning the shaft during the tool change
- 3 sealing air connection
- 4 motorcable connection
- 5 Connection for the pneumatic tool change

Accessoires:

- Spindle bracket 80 mm
- Operating line 30.4m
(several lengths available)
 - 1 x Motorcable
 - 2 x Cooling hose
 - 1 x Sealing air hose
 - 1 x Hose for pneumatic tool change
 - 1 x Air hose for cleaning the shaft during the tool change
- set of hose connectors
- System cabinet 62/7D
 - Solid-state frequency converter 62/7D
 - Cooling unit KKG3
 - Pressure reducing valve for the sealing air
 - with wheels
- Cable remote control

Update: 01/01