

Alfred Jäger GmbH

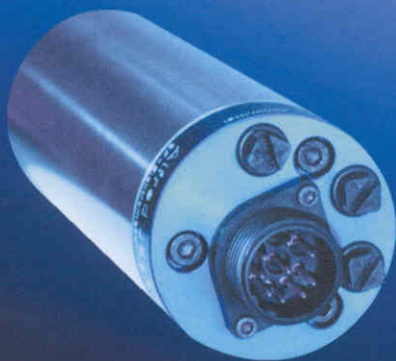
SF-Elektromaschinenbau



KS2-07/60

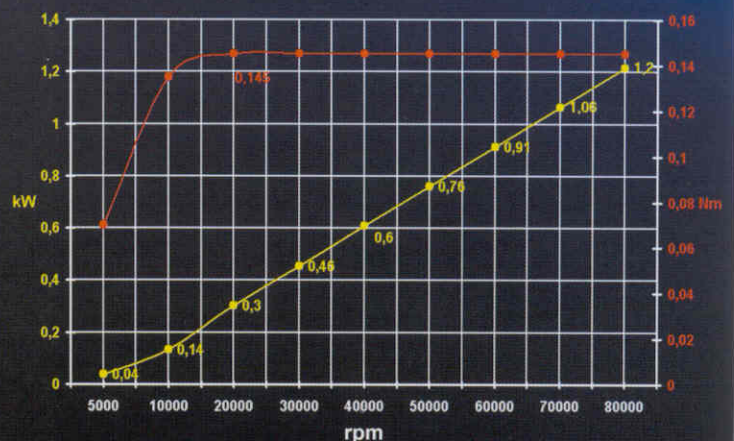
KS2-07/80

High frequency spindle
for drilling, milling and
engraving



Technical data:

- Power output: 0,9 KW ; 1,2 KW
- Rotation frequency speed: 5.000 - 60.000 ; 80.000 rpm
- Ceramic hybrid precision ball bearings
lubricated for life
- Manual clamping
- Clamping range: 1 - 6 mm ; 1/4"
- Sealing air
- Rotation speed monitoring
- Temperature monitoring
- Liquid cooled
- Weight: 2,5 kg

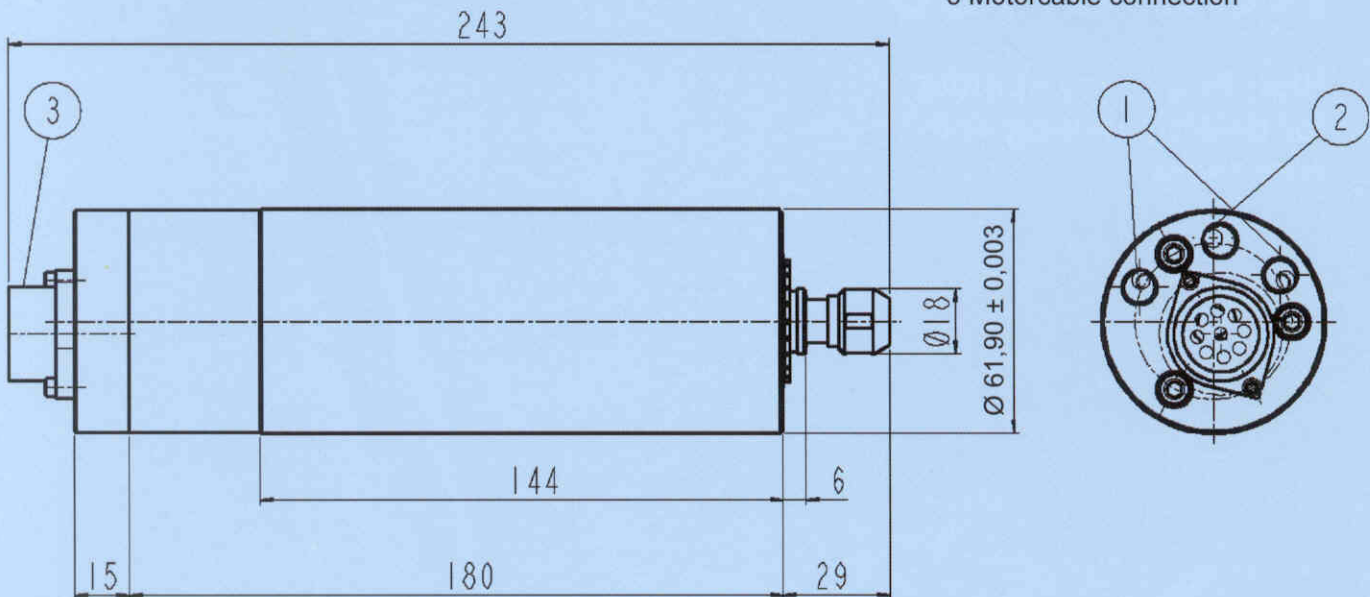




KS2-07/60

KS2-07/80

- 1 Cooling hose connections
- 2 Sealing air connection
- 3 Motorcable connection



Accessories:

- Spindle bracket Ø 62 mm
(Inside diameter 61,90 mm ± 0,002 mm)
- Collet type 6 D (1 - 6 mm ; 1/4")
- Operating line 05.4m
(several lengths available)
 - 1 x Motorcable
 - 2 x Cooling hose
 - 1 x Sealing air hose
- Set of hose connectors 04
- System cabinet 49/1A/KKG1.1
 - Solid-state frequency converter 49/1A
 - Cooling unit KKG1.1
 - Pressure reducing valve
for the sealing air
 - Option: with wheels

Update: 01/01

Alfred Jäger GmbH SF-Elektromaschinenbau, Siemensstraße 8, D-61239 Ober-Mörlen

Telefon: ++ 49 (0) 60 02 / 91 23 - 0

Telefax: ++ 49 (0) 60 02 / 91 23 - 40

Email: mail@alfredjaeger.de <http://www.alfredjaeger.de>