

Alfred Jäger GmbH

SF-Elektromaschinenbau



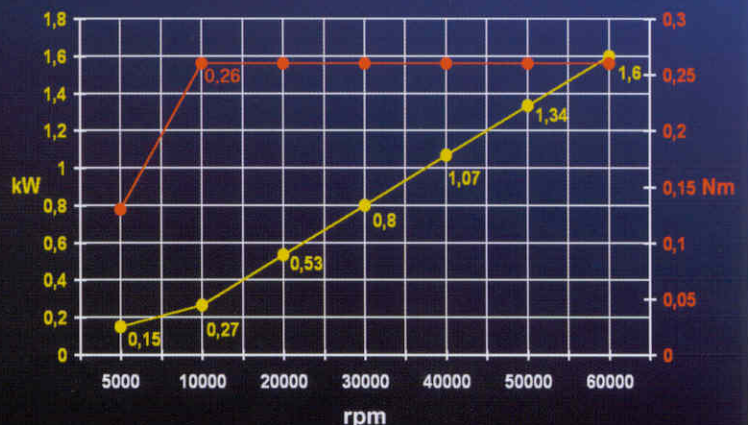
KS3-11/60

High frequency spindle for
drilling, milling, grinding
and engraving



Technical data:

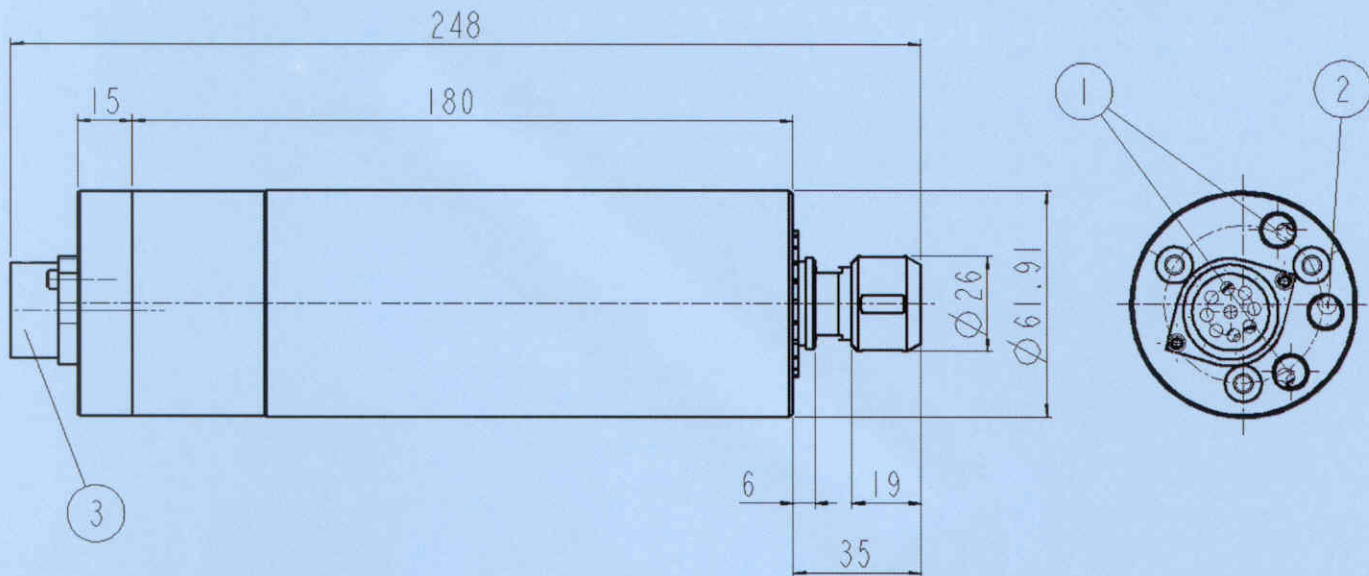
- Power output: 1,6 KW
- Rotation frequency speed: 5.000 - 60.000 rpm
- Ceramic hybrid precision ball bearings lubricated for life
- Manual clamping
- Clamping range: 1 - 6 mm ; 1/4"
- Sealing air
- Rotation speed monitoring
- Temperature monitoring
- Liquid cooled
- Weight: 3,0 kg





KS3-11/60

- 1 Cooling hose connections
- 2 Sealing air connection
- 3 Motorcable connection



Accessories:

- Spindle bracket \varnothing 62 mm
- Collet type 8 D (1 - 8 mm)
- Operating line 05.4m (several length available)
 - 1 x Motorcable
 - 2 x Cooling hose
 - 1 x Sealing air hose
- Set of hose connectors 02
- System cabinet 49/2A/KKG1.1
 - Solid-state frequency converter 49/2A
 - Cooling unit KKG 1.1
 - Pressure reducing valve for the sealing air
 - Option: with wheels
- System cabinet 49/2D/KKG1.1
 - Solid-state frequency converter 49/2D
 - Cooling unit KKG 1.1
 - Pressure reducing valve for the sealing air
 - Option: with wheels
- Cable remote control (only for digital frequency converter 49/2D)

Update: 01/01