

Alfred Jäger GmbH

SF-Elektromaschinenbau



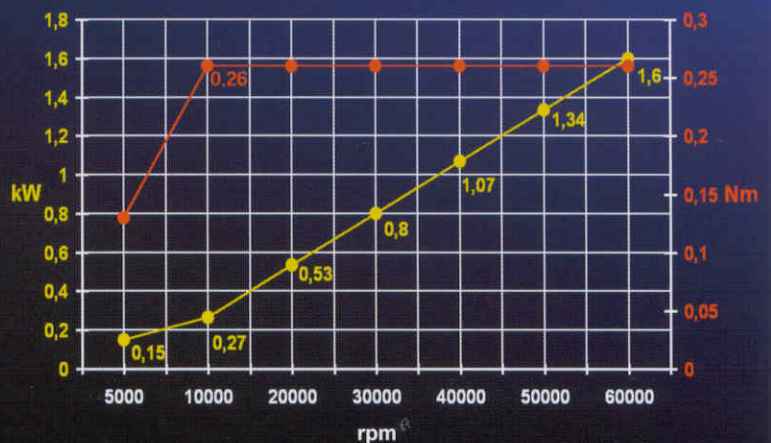
KS3-12/60

High frequency spindle for
drilling, milling, grinding
and engraving



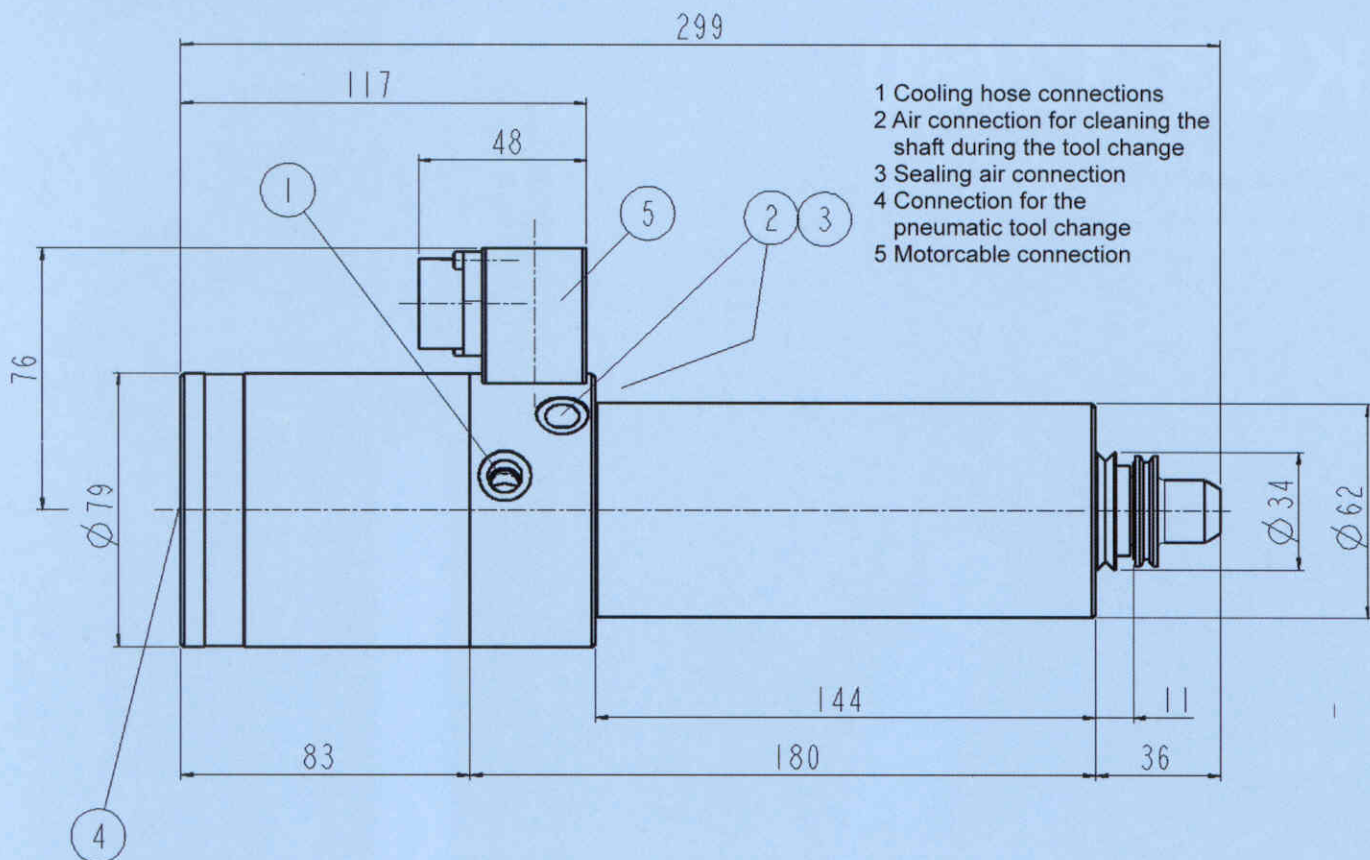
Technical data:

- Power output: 1,6 KW
- Rotation frequency speed: 5.000 - 60.000 rpm
- Ceramic hybrid precision ball bearings lubricated for life
- Pneumatic change of toolholder
- Clamping range: 1 - 6 mm ; 1/4"
- Sealing air
- Rotation speed monitoring
- Temperature monitoring
- Liquid cooled
- Weight: 4,0 kg





KS3-12/60



- 1 Cooling hose connections
- 2 Air connection for cleaning the shaft during the tool change
- 3 Sealing air connection
- 4 Connection for the pneumatic tool change
- 5 Motorcable connection

Accessories:

- Spindle bracket \varnothing 62 mm
- Toolholder
 - Toolholder WK 16-6 incl. locknut
 - Shrinking toolholder WK 16-6 \varnothing E (3, 4, 6 mm)
- Collet type 6 D (1 - 6 mm)
- Tool-change pick-up station WS 26/18
- Operating line 07.4m
 - 1 x Motorcable
 - 2 x Cooling hose
 - 1 x Sealing air hose
 - 1 x Hose for the pneumatic tool change
 - 1 x Air hose for cleaning the shaft during the toolchange
- Set of hose connectors 03
- System cabinet 49/2A/KKG1.1
 - Solid-state frequency converter 49/2A
 - Cooling unit KKG 1.1
 - Pressure reducing valve for the sealing air
 - Option: with wheels
- System cabinet 49/2D/KKG1.1
 - Solid-state frequency converter 49/2D
 - Cooling unit KKG 1.1
 - Pressure reducing valve for the sealing air
 - Option: with wheels
- Cable remote control
- Shrinking appliance

Update: 01/01

Alfred Jäger GmbH SF-Elektromaschinenbau, Siemensstraße 8, D-61239 Ober-Mörlen

Telefon: ++ 49 (0) 60 02 / 91 23 - 0

Telefax: ++ 49 (0) 60 02 / 91 23 - 40

Email: mail@alfredjaeger.de <http://www.alfredjaeger.de>