

Alfred Jäger GmbH

SF-Elektromaschinenbau



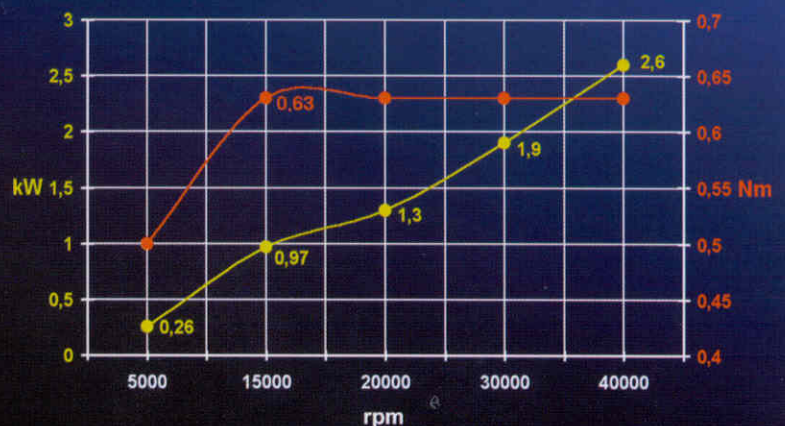
KS4-23/40

High frequency spindle for
drilling, milling, grinding
and engraving

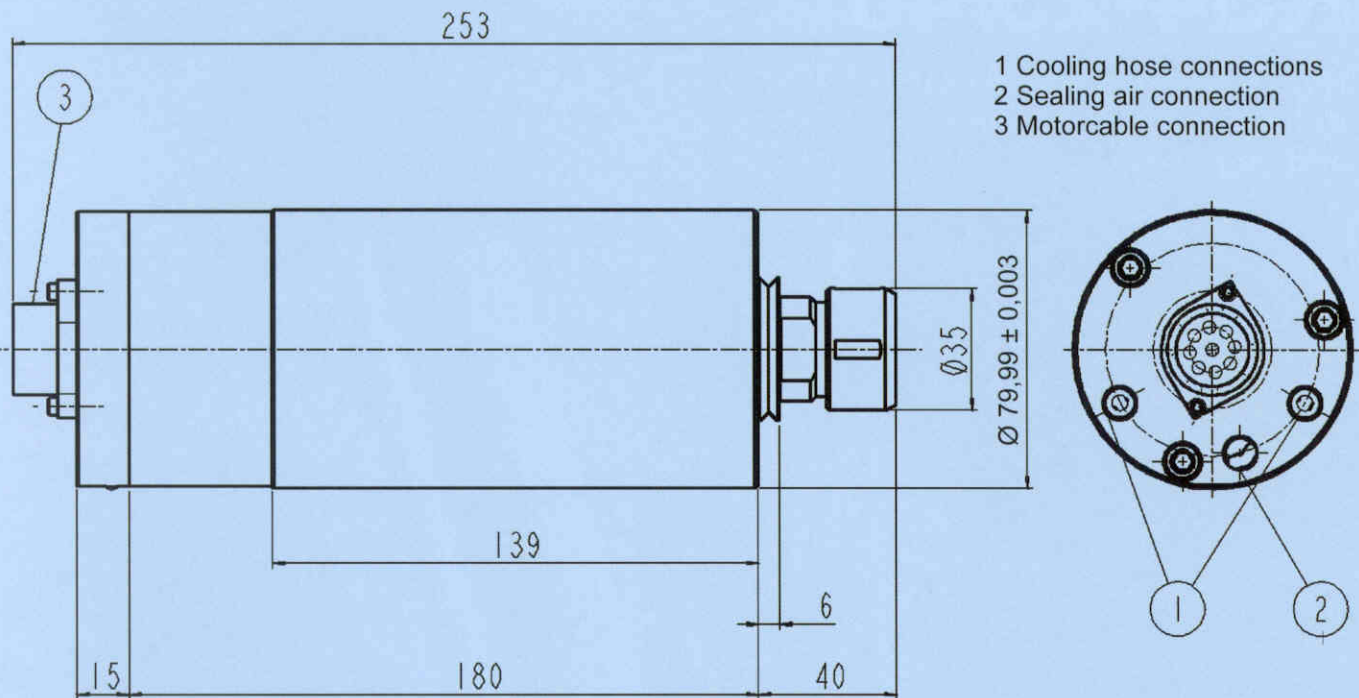


Technical data:

- Power output: 2,6 KW
- Rotation frequency speed: 5.000 - 40.000 U/Min
- Ceramic hybrid precision ball bearings
lubricated for life
- Manual clamping
- Clamping range: 1 - 12 mm
- Sealing air
- Rotation speed monitoring
- Temperature monitoring
- Liquid cooled
- Weight: 4,8 kg



KS4-23/40



Accessories:

- Spindle bracket \varnothing 80 mm
(Inside diameter 79,99 mm \pm 0,002 mm)
- Collet type 12 D (1 - 12 mm)
- Operating line 05.4m
(several lengths available)
 - 1 x Motorcable
 - 2 x Cooling hose
 - 1 x Sealing air hose
- Set of hose connectors 04
- System cabinet 49/3A/KKG1.2
 - Solid-state frequency converter 49/3A
 - Cooling unit KKG1.2
 - Pressure reducing valve
for the sealing air
Option: with wheels
- System cabinet 49/3D/KKG1.2
 - Solid-state frequency converter 49/3D
 - Cooling unit KKG1.2
 - Pressure reducing valve
for the sealing air
Option: with wheels
- Cable remote control

Update: 01/01

Alfred Jäger GmbH SF-Elektromaschinenbau, Siemensstraße 8, D-61239 Ober-Mörlen

Telefon: ++ 49 (0) 60 02 / 91 23 - 0

Telefax: ++ 49 (0) 60 02 / 91 23 - 40

Email: mail@alfredjaeger.de <http://www.alfredjaeger.de>