

Alfred Jäger GmbH

SF-Elektromaschinenbau



SK3-01/60

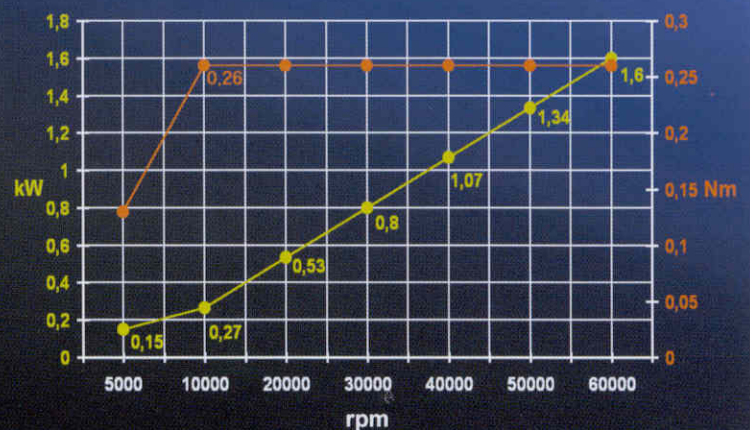
High frequency spindle for manual integration into machine tools.

Applicable for drilling, milling and grinding.



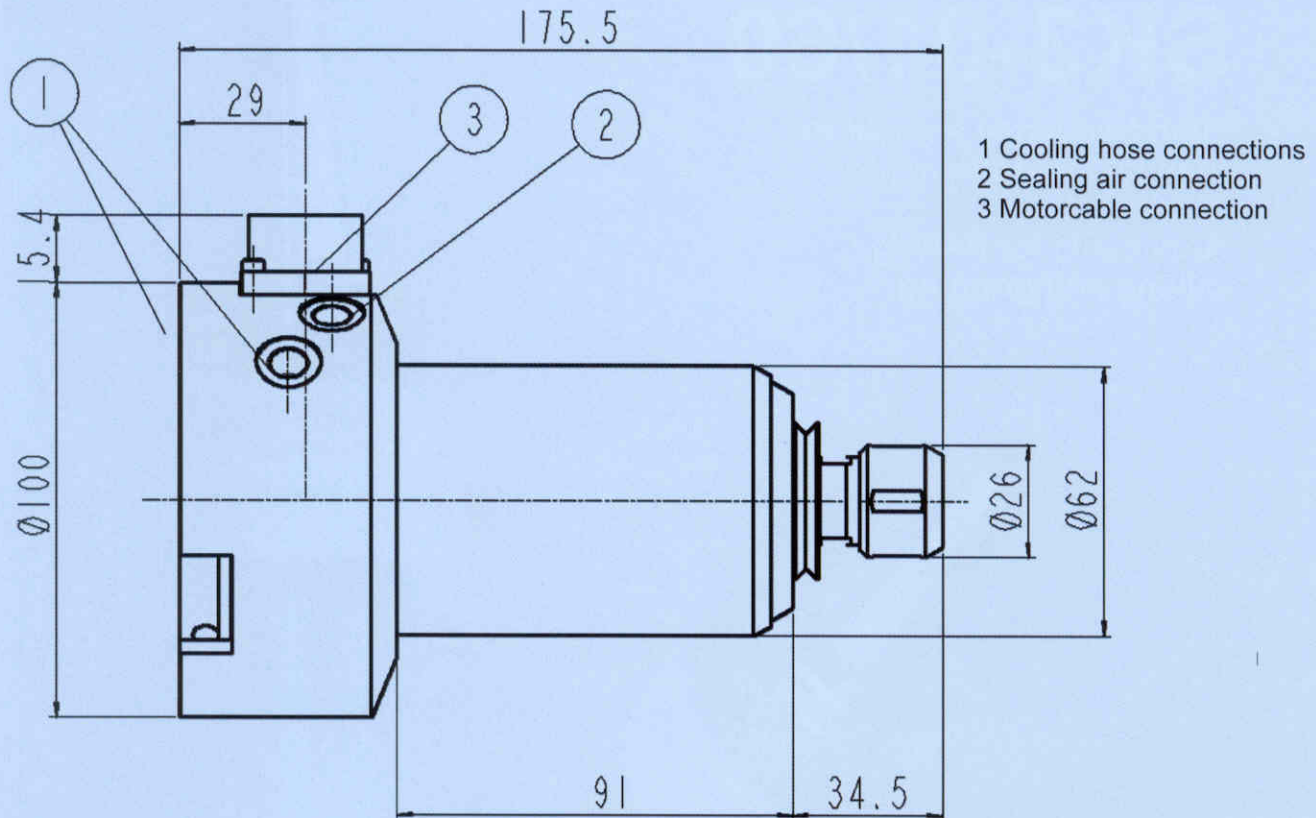
Technical data:

- Power output: 1,6 KW
- Rotation frequency speed: 5.000 - 60.000 U/Min
- Ceramic hybrid precision ball bearings lubricated for life
- Manual clamping
- Clamping range: 1 - 8 mm
- Sealing air
- Rotation speed monitoring
- Temperature monitoring
- Liquid cooled
- Weight: 3,6 kg





SK3-01/60



Accessories:

- Taper adapter SK 40 / SK 50 with or without grab groove (various taper adapter on request)
- Collet type 8 D (1 - 8 mm)
- Operating line 05.4m (several lengths available)
 - 1 x Motorcable
 - 2 x Cooling hose
 - 1 x Sealing air hose
- Set of hose connectors 01
- Set of hose connectors 02
- System cabinet 49/2A/KKG1.1
 - Solid-state frequency converter 49/2A
 - Cooling unit KKG1.1
 - Pressure reducing valve for the sealing air
 - Option: with wheels
- System cabinet 49/2D/KKG1.1
 - Solid-state frequency converter 49/2D
 - Cooling unit KKG1.1
 - Pressure reducing valve for the sealing air
 - Option: with wheels
- Cable remote control (only for digital frequency converter 49/2D)

Update: 01/01