

Alfred Jäger GmbH

SF-Elektromaschinenbau



SK4-02/40

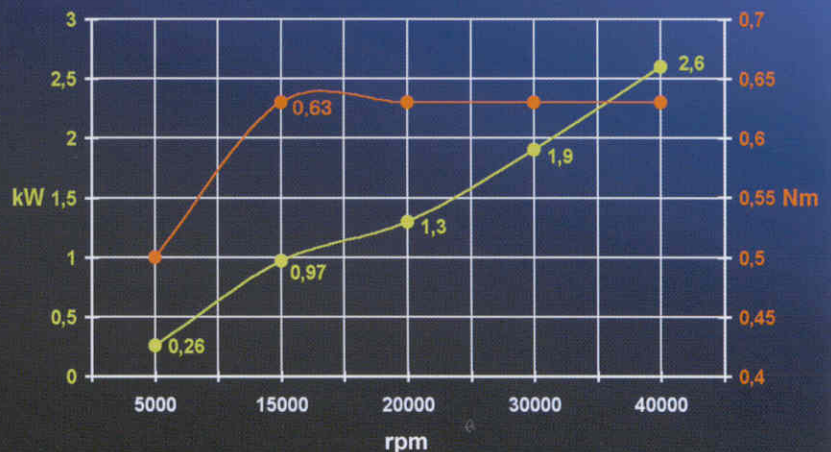
High frequency spindle for manual integration into machine tools.

Applicable for drilling, milling and grinding.

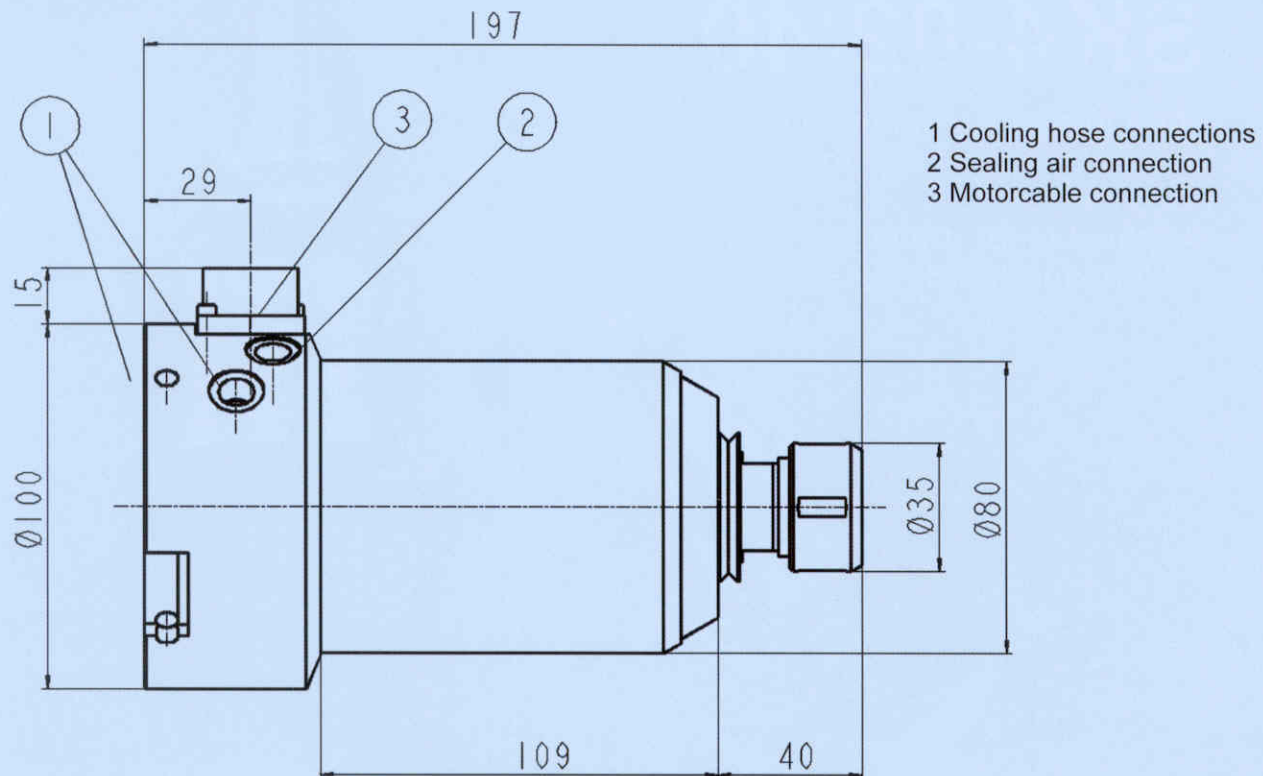


Technical data:

- Power output: 2,6 KW
- Rotation frequency speed: 5.000 - 40.000 rpm
- Ceramic hybrid precision ball bearings lubricated for life
- Manual clamping
- Clamping range: 1 - 12 mm
- Sealing air
- Rotation speed monitoring
- Temperature monitoring
- Liquid cooled
- Weight: 5,5 kg



SK4-02/40



Accessories:

- Taper adapter SK 40 / SK 50 with or without grab groove (various taper adapter on request)
- Collet type 12 D (1 - 12 mm)
- Operating line 05.4m (several length available)
 - 1 x Motorcable
 - 2 x Cooling hose
 - 1 x Sealing air hose
- Set of hose connectors 01
- Set of hose connectors 02
- System cabinet 49/3A/KKG1.2
 - Solid-state frequency converter 49/3A
 - Cooling unit KKG 1.2
 - Pressure reducing valve for the sealing air
 - Option: with wheels
- System cabinet 49/3D/KKG1.2
 - Solid-state frequency converter 49/3D
 - Cooling unit KKG 1.2
 - Pressure reducing valve for the sealing air
 - Option: with wheels
- Cable remote control (only for digital frequency converter 49/3D)

Stand: 08/00

Alfred Jäger GmbH SF-Elektromaschinenbau, Siemensstraße 8, D-61239 Ober-Mörlen

Telefon: ++ 49 (0) 60 02 / 91 23 - 0

Telefax: ++ 49 (0) 60 02 / 91 23 - 40

Email: mail@alfredjaeger.de <http://www.alfredjaeger.de>